



5800PIR-OD

Outdoor Wireless Motion Detector

The 5800PIR-OD is a AA lithium battery powered wireless outdoor motion detector intended for use with Honeywell Home alarm systems that support 5800 Series wireless devices. The 5800PIR-OD is an ideal solution for outdoor sensing needs in difficult to wire locations— avoiding the costs and time to trench hardwired solutions. It's perfect for both residential (activity monitors, e-mail alerts, turning on video cameras) and commercial (protecting copper theft, utility and electrical substations, cellular sites, commercial buildings, car lots and more) applications.

The 5800PIR-OD consists of two passive infrared (PIR) sensors that must both be tripped to declare an alarm, providing immunity to false alarm sources, pets and other animals. These sensors can be adjusted to alter the detection range. The transmitter can send alarm, tamper and low battery condition messages to the alarm panel.



FEATURES AND BENEFITS

- Discriminates both large and small animals to reduce false alarms
- Adjustable range patterns from 7' up to 40'. The 90° pattern can also be adjusted throughout a 180° field of view by simply swiveling the housing.
- Battery saving feature allows you to select five seconds of inactivity (for higher security requirements or where up-to-date information is critical) or 120 seconds of inactivity after alarm (for initial notification)
- Immune to bright lights from head lamps, sunlight and other light sources that typically generate false detections
- Full Supervision – The 5800PIR-OD is fully supervised to monitor for low battery, case tamper and trouble conditions
- Versatile Mounting – Whether you choose to affix the detector to a wall or a fence post, mounting is simple with the enclosed hardware
- Tamper Protection – The detector has a built-in tamper switch that can communicate back to the control panel in the event it is removed from the wall



5800PIR-OD Technical Specifications

Range: Adjustable up to 40 feet (12 meters)

Pattern: 90° consisting of 13 zones. The pattern can be adjusted in 15° increments from center up to 45° in either direction.

Mounting Height: 2.7 – 4.0 feet (0.8 – 1.2 meters)

Mounting Configuration: Wall or pole mount (included)

Detection Method: Dual Passive Infrared (PIR)

Warm-up Time: - Two Minutes

Power Source: Four 1.5V AA lithium batteries (included)

Battery Saving Timer: Adjustable to 120 seconds or five seconds

Battery Life:
120 second mode = up to four years
5 second mode = up to 1.5 years

Sensitivity: 3.6°F at 2.0 feet/second (2.0° C at 0.6 meters/second)

Detection Speed: 1-5 feet/second (0.3 to 1.5 meters/second)

Alarm Period: 2.5 seconds

LED Indicator: Enabled during walk test, disabled for normal operation to save battery life

Dimensions:

Height: 7.8 inches (199mm)

Width: 3.2 inches (82mm)

Depth: 4.7 inches (120mm)

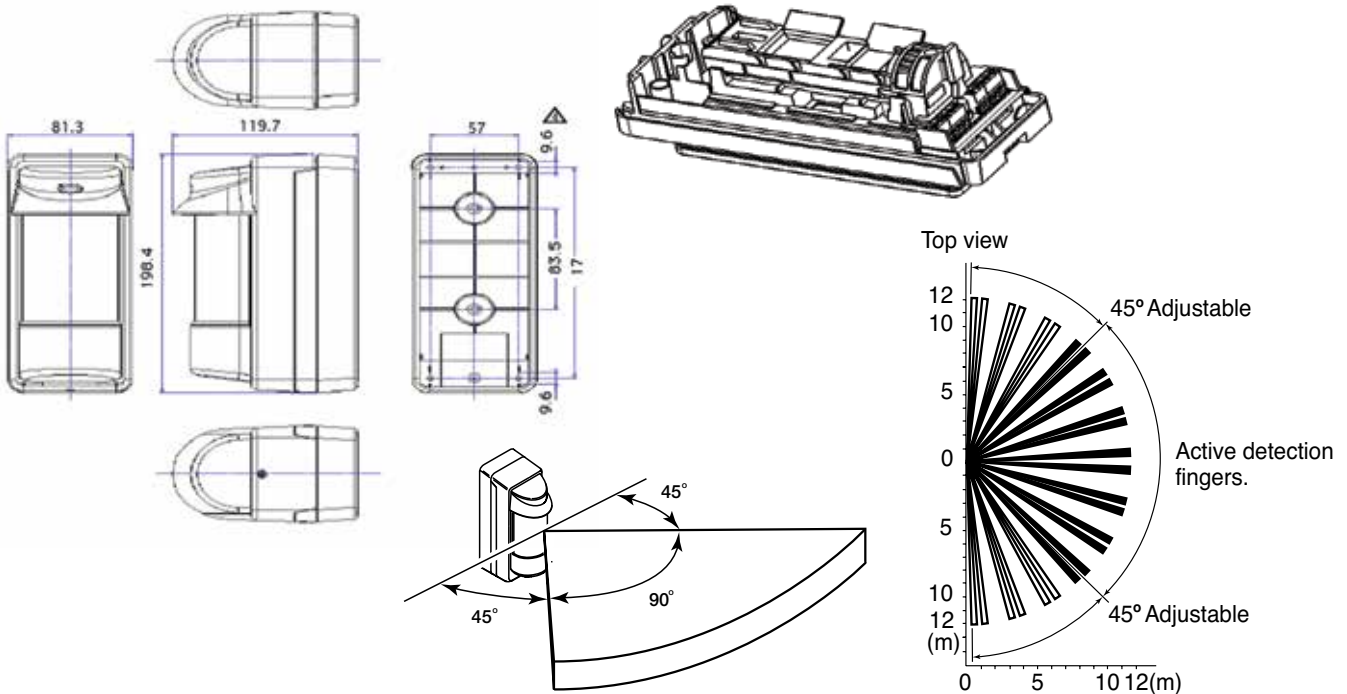
Operating Ambient Temperature Range: -4°F to 122°F (-20°C to 50°C)

Operating Humidity Range: 95% Max

Weatherproof: IP54 compliant

Accessories Included: Pole mount kit, screw kit, masking strips

Agency Listings: FCC, IC



ORDERING

5800PIR-OD	Wireless Outdoor PIR Motion Sensor
462	AA 1.5V Lithium Battery (four per unit)

For more information

security.honeywellhome.com/hsc



Resideo Technologies, Inc.

2 Corporate Center Drive, Suite 100
P.O. Box 9040
Melville, NY 11747
1-800-645-7492
resideo.com

L/5800PIRODD/D | 06/19
© 2019 Resideo Technologies, Inc.
This product is manufactured by Resideo and its affiliates. The Honeywell Home trademark is used under license from Honeywell International Inc. All rights reserved.

