

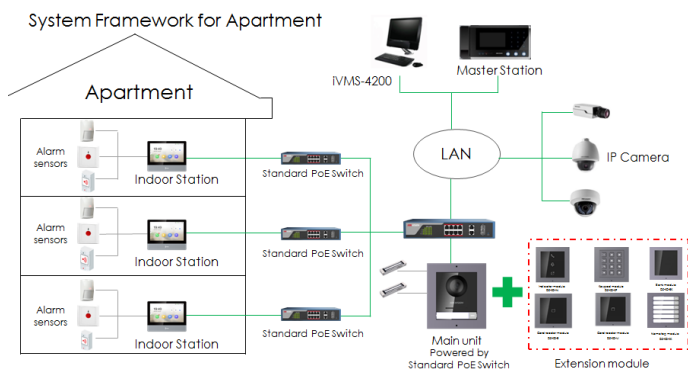


Key Feature

- New UI V2.0: User friendly design
- 7-inch colorful touch screen with resolution 1024 × 600
- Standard PoE
- Stores messages and capture pictures in the TF card
- Remote unlocking via the client software or the mobile client
- Views live videos of door stations and linked cameras

TICK(EMC)	
UL	UL 60950-1 & CAN/CSA C22.2 No. 60950-1-07, Information Technology Equipment – Safety – Part 1: General Requirements
IC(EMC)	ICES-003:Issue 6
ROHS	2011/65/EU
REACH	Regulation (EC) No 1907/2006
WEEE	2012/19/EU

Typical Application

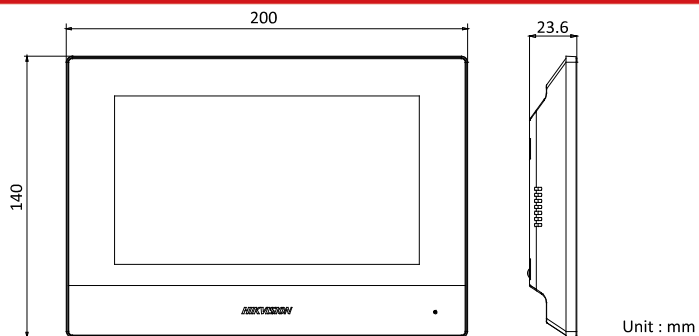


Approval

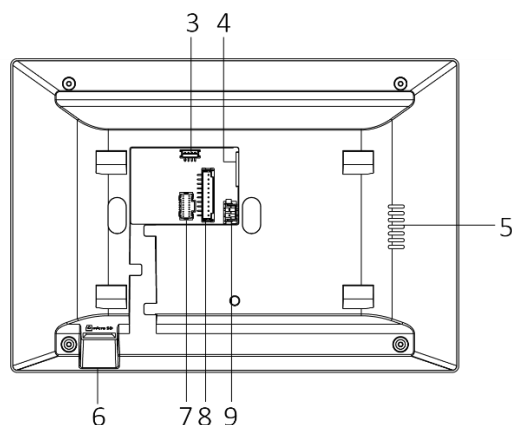
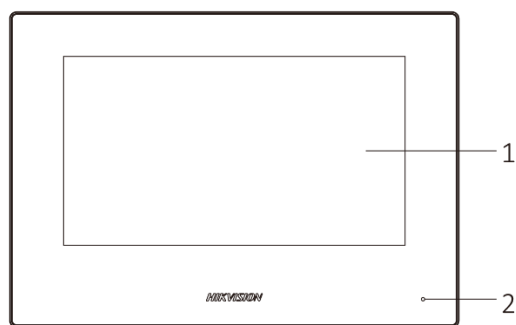
CE-EMC	<ul style="list-style-type: none"> a. EN 55032:2015 b. EN 61000-3-2:2014 c. EN 61000-3-3:2013 d. EN 50130-4:2011 +A1:2014
CE-LVD	EN 60950-1:2006 + A11:2009 + A1:2010 + A12:2011 + A2:2013
CB	IEC 60950-1:2005 (Second Edition) + Am 1:2009 + Am 2:2013
FCC-SDOC	47 CFR Part 15, Subpart B
C-	AS/NZS CISPR 32:2015

Specification

System parameters	
Memory	128 MB
Flash	32 MB
Operation system	Embedded Linux operation system
Display parameters	
Display screen	7-inch colorful TFT screen
Display resolution	1024 × 600
Operation method	Capacitive touch screen
Audio parameters	
Audio input	Built-in omnidirectional microphone
Audio output	Built-in loudspeaker
Audio compression standard	G.711 U
Audio compression rate	64 Kbps
Audio quality	Noise suppression and echo cancellation
Network parameters	
Wired network	10/100 Mbps self-adaptive
Network protocol	TCP/IP, SIP, RTSP
Network interface	1 RJ-45 10/100 Mbps self-adaptive
Alarm input	8-ch alarm inputs
TF card	Max to 32 G, SD 2.0 or lower version
General	
Power supply	IEEE802.3af, standard PoE 12 VDC/1 A
Power consumption	≤ 6 W
Working temperature	-10 °C to 55 °C (14 °F to 131 °F)
Working humidity	10% to 90%
Dimensions	200 mm × 140 mm × 15.1 mm (7.9" × 5.5" × 0.6")
Weight	675 g (with packaging) 350 g (without packaging)



Appearance and Interfaces



No.	Description	No.	Description
1	Screen	6	TF Card Slot
2	Microphone	7	Alarm Terminal
3	Debug Port	8	Reserved
4	Network Interface	9	Power Supply
5	Loudspeaker		

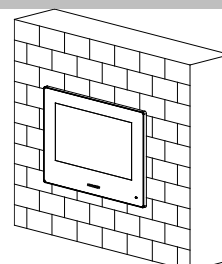
Accessory

Included

Screw Package

2_KA4×22-SUS

Installation



Surface Mounting

Distributed by



HIKVISION®

Headquarters

No.555 Qianmo Road, Binjiang District,
Hangzhou 310051, China
T +86-571-8807-5998
overseasbusiness@hikvision.com

Hikvision USA
T +1-909-895-0400
sales.usa@hikvision.com

Hikvision Australia
T +61-2-8599-4233
salesau@hikvision.com

Hikvision India
T +91-22-28469900
sales@pramahikvision.com

Hikvision Canada
T +1-866-200-6690
sales.canada@hikvision.com

Hikvision Thailand
T +662-275-9949
sales.thailand@hikvision.com

Hikvision Europe
T +31-23-5542770
sales.eu@hikvision.com

Hikvision Italy
T +39-0438-6902
info.it@hikvision.com

Hikvision Brazil
T +55 11 3318-0050
Latam.support@hikvision.com

Hikvision Turkey
T +90 (216)521 7070- 7074
sales.tr@hikvision.com

Hikvision Malaysia
T +601-7652-2413
sales.my@hikvision.com

Hikvision UK & Ireland
T +01628-902140
sales.uk@hikvision.com

Hikvision South Africa
Tel: +27 (10) 0351172
sale.africa@hikvision.com

Hikvision France
T +33(0)1-85-330-450
info.fr@hikvision.com

Hikvision Kazakhstan
T +7-727-9730667
nikia.panfilov@hikvision.ru

Hikvision Vietnam
T +84-974270888
sales.vt@hikvision.com

Hikvision UAE
T +971-4-4432090
salesme@hikvision.com

Hikvision Singapore
T +65-6684-4718
sg@hikvision.com

Hikvision Spain
T +34-91-737-16-55
info.es@hikvision.com

Hikvision Tashkent
T +99-87-1238-9438
uzb@hikvision.ru

Hikvision Hong Kong
T +852-2151-1761
info.hk@hikvision.com

Hikvision Russia
T +7-495-669-67-99
saleru@hikvision.com

Hikvision Korea
T +82-(0)31-731-8817
sales.korea@hikvision.com

Hikvision Poland
T +48-22-460-01-50
info.pl@hikvision.com

Hikvision Indonesia
T +62-21-2933759
Sales.Indonesia@hikvision.com

Hikvision Colombia
sales.colombia@hikvision.com