

## DS-2CE56D0T-IPF 2 MP Indoor IR Turret Camera



- High quality imaging with 2 MP, 1920 × 1080 resolution
- 2.8 mm, 3.6 mm fixed lens
- Up to 20 m IR distance for bright night imaging
- One port for four switchable signals (TVI/AHD/CVI/CVBS)

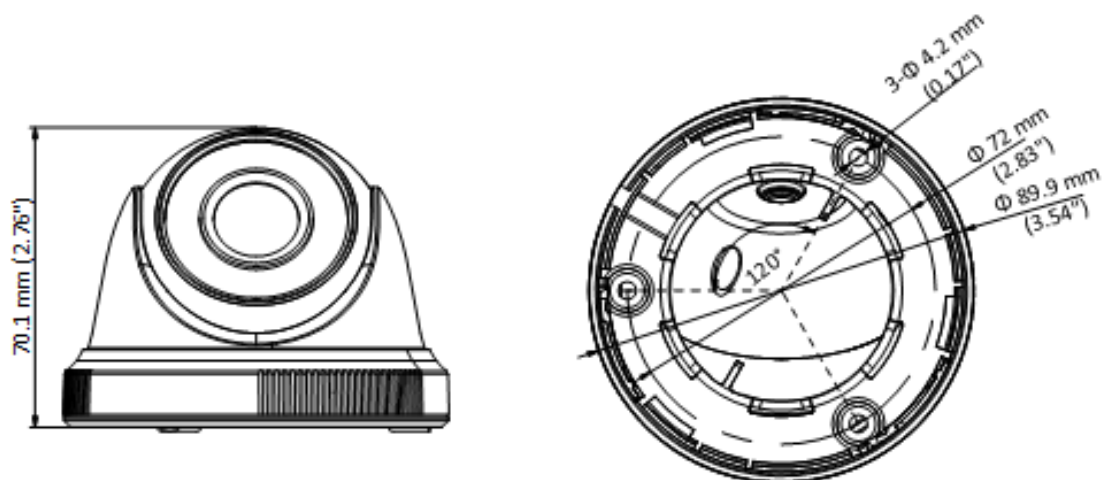
## ▪ Specification

Camera	
Image Sensor	2 MP CMOS
Signal System	PAL/NTSC
Resolution	1920 (H) × 1080 (V)
Frame Rate	TVI: 1080 p @25 fps/30 fps AHD: 1080 p @25 fps/30 fps CVI: 1080 p @25 fps/30 fps CVBS: PAL/NTSC
Min. Illumination	0.02 Lux @ (F1.2, AGC ON), 0 Lux with IR
Shutter Time	PAL: 1/25 s to 1/50,000 s; NTSC: 1/30 s to 1/50,000 s
Lens	2.8 mm, 3.6 mm Fixed Lens
Field of View	2.8 mm, horizontal FOV: 96.9°, vertical FOV: 52.8°, diagonal FOV: 115.6° 3.6 mm, horizontal FOV: 76.9°, vertical FOV: 40.6°, diagonal FOV: 92.0°
Lens Mount	M12
Day & Night	IR Cut Filter
WDR (Wide Dynamic Range)	Digital WDR
Angle Adjustment	Pan: 0° to 360°, Tilt: 0° to 75°, Rotation: 0° to 360°
Image	
Image Mode	STD/HIGH-SAT
AGC	Yes
Day/Night Mode	Auto/Color/BW (Black and White)
White Balance	Auto
AE (Auto Exposure) Mode	DWDR, BLC, Global
Noise Reduction	2D DNR
Language	English
Function	Brightness, Mirror, Smart IR, Sharpness
Interface	
Video Output	Switchable TVI/AHD/CVI/CVBS
General	
Operating Conditions	-40°C to 60°C (-40°F to 140°F), Humidity: 90% or less (non-condensing)
Power Supply	12 VDC ± 25%
Consumption	Max. 3.5 W
Material	Plastic
IR Range	Up to 20 m
Communication	HIKVISION-C
Dimension	∅ 89.9 mm × 70.1 mm (∅ 3.54" × 2.76")
Weight	Approx. 123 g (0.27 lb.)

## ▪ Available Model





DS-2CE56DOT-IPF (2.8/3.6 mm)

▪ **Dimension**



▪ **Accessory**

▪ **Optional**

DS-1280ZJ-XS DS-1280ZJ-XS	DS-1275ZJ-SUS Vertical Pole Mount	DS-1276ZJ-SUS Corner Mount	DS-1272ZJ-110-TRS Wall mount
			

**Headquarters**

No.555 Qianmo Road, Binjiang District,  
Hangzhou 310051, China  
T +86-571-8807-5998  
www.hikvision.com



Follow us on social media to get the latest product and solution information.

